

BROEN-LAB Sensor Tap



BROEN-LAB

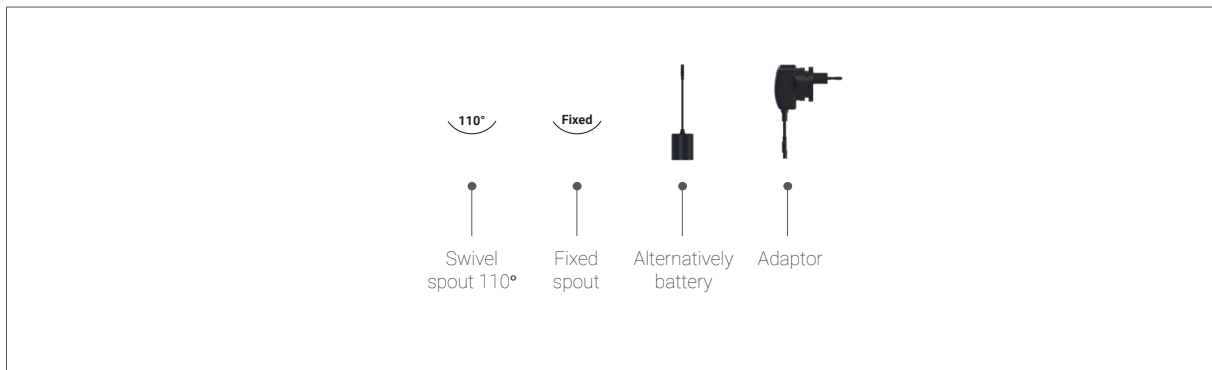
General information

Sensor Tap for cold, hot or tepid water

The sensor tap offers handsfree distribution of cold, hot or tepid water. The bench mounted sensor tap comes as a stand-alone version for a fixed water temperature or as a mixer version with either manual or thermostatic regulation of water temperature. It is coated with a chemical resistant polyester-based surface treatment, making it ideal for laboratories environments.

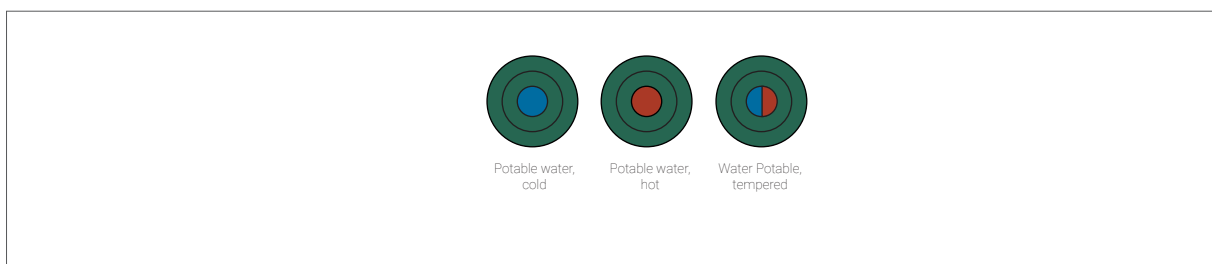
The boxes below explains the options and media that you have to decide between when you order a BROEN-LAB SensorTap. If you have a query not found, please contact BROEN-LAB.

Options



Media

The SensorTap is available for the media's below:



Bench mounted Sensor Tap for cold/hot or tepid water

M30x1.5 mm mounting

Specifications

Aerator, with flow limitation 5 L/min
 Sensor operated opening and closing function with bi-stabile technology
 110° limited swivel spout, alternatively fixed spout.
 Temperature range: 5-65° (41°F - 149°F)
 Max. working pressure: 10 bar/145 psi

Surface

Chemical resistant Polyester Based Surface treatment,
 UV-resistant.
 RAL colour 0008500

Material with media contact

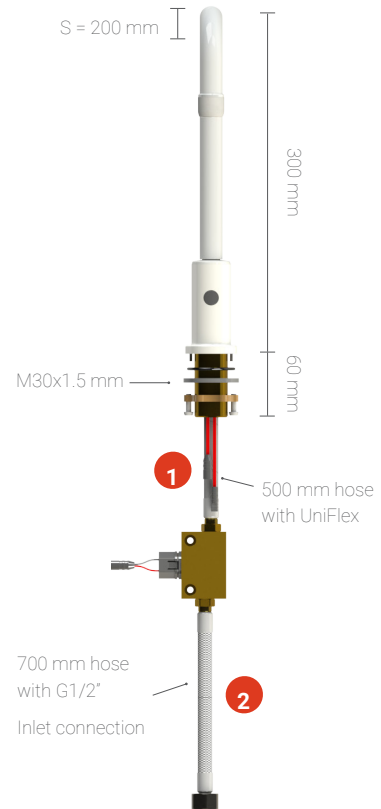
Brass
 Rubber, EPDM
 Silicone based lubricant
 PPSU
 SS
 PA
 SPX Hose

Electrical connection

Adaptor: 100-240 V AC 50/60 Hz
 Battery: 6 V Lithium

Hose

Supplied with hoses.
 Hose (1) on the picture is mandatory and included. Hose (2) on the picture is optional. See in the table below which options you have for hose (2)*.



For further options contact BROEN-LAB

Configuration options

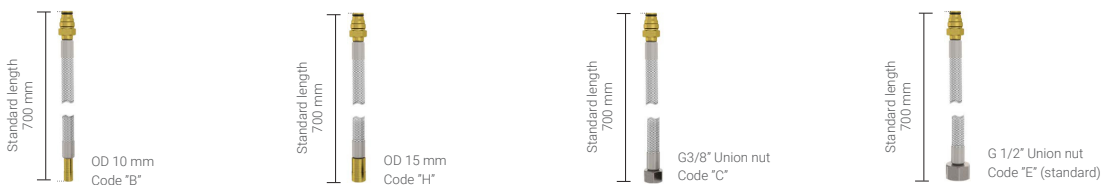
Choose swivel limitation or fixed spout and battery or adaptor.

| | | | | |
|--------|-------------------|-------------------|-------------------|-------------------|
| | | | | |
| S= 200 | 2601 008 XX35-52E | 2601 017 XX35-52E | 2601 002 XX35-52E | 2601 018 XX35-52E |

XX = Country code: [EU: 10, US: 20]

*Standard hose is G1/2" (Code "E", placed in the end of the product number) but you can choose between the recommended hoses below.

Recommended accessories



Area of Application:
Table mounted
Water

Max. working pressure 10 bar
Temperature range 5°C-60°C

Details:
Servo controlled bi-stable cartridge valve
Fixed spout
Aerator w. flowfix 5 L/min

Materials in media contact:
Brass
Rubber, EPDM
Silicone based lubricant
PPSU
SS
PA
SPX Hose

Mounting:
M30x1,5 nut with locking pins o-ring and washer

Inlet / outlet connection:
G1/2, Hose
Aerator w. flowfix 5 L/min

Electronic connection:
100-240 V AC 50/60 Hz

InfraRed sensor

Ø 30

Standard hose length 500mm

Cable length 300mm

Power plug for EU
Cable length 1100mm

Hose length of connection hose 700mm

M5 screws not included

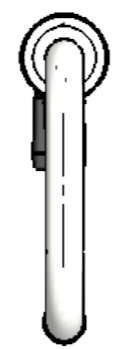
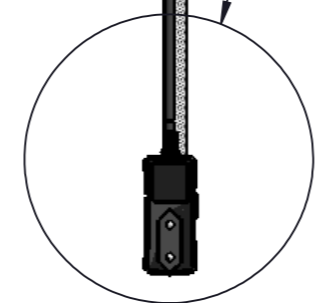
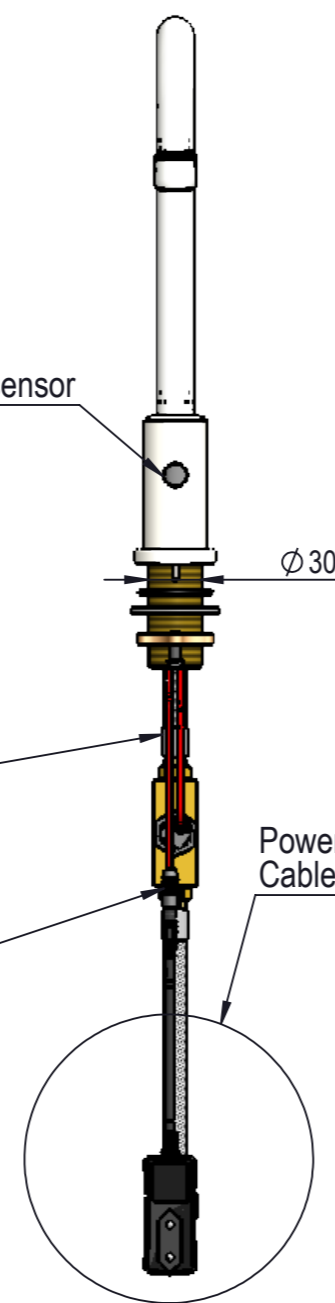
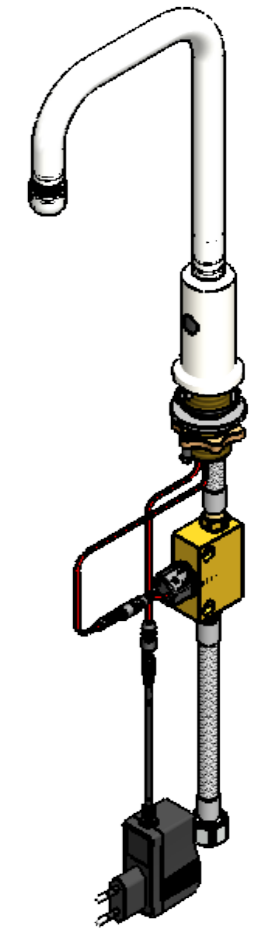
G1/2" Union

150

300

212

60



| | | | | | | | | | | |
|---------------------------------------------------------------------------------------------------------|------|------|--------|-----------|-----------|---------|------------------------------------------------------------------------------------------------------------------------------------|------------------|-----------------------------------------|------------------|
| Description: 1-Valve, Table mounted, M30x1,5 nut with locking pins o-ring and washer, Fixed spout, G1/2 | | | | | | | | | | |
| | | | | | | | | Media: Water | | |
| Comments: | | | | | | | | | | |
| Drawing type: Customer drawing | | | | | | | | Weight: 1.469 Kg | | |
| Rev. | Pos. | Date | TM No. | Design by | Drawn by: | Change: | Designed by: SJE | Drawn by: TLA | Released on TM No.: | Date: 09-08-2018 |
| BROEN-LAB | | | | | | | This drawing is our property and cannot be given to a third party, copied or otherwise used without our permission. BROEN-LAB A/S. | | Format: A3 Drawing No.: 26010011035-52E | |

BROEN-LAB develops, manufactures and sells Laboratory Fittings, Emergency Shower Systems and Eye Wash Systems into a broad spectrum of laboratories and industrial locations; sectors include Pharmaceutical, Food&Beverage and Academia. Our expertise and product quality ensure optimal solutions compliant to all relevant international norms setting new standards in risk mitigation in modern research and development facilities.

BROEN-LAB offer solutions that ensure the functionality, compliance, hygiene, durability and safety are of the highest priority. For over 50 years our products have been integrated into a wide variety of workplaces, laboratories, hospitals and industrial locations, with features that are assessed and designed to be flexible, durable and compliant offering a broad range of options tailored to each location. This inherent design integrity provides confidence in the solution adopted wherever in the world these are applied.

BROEN-LAB is a collaboration partner in the design and layout of your next laboratory and it's integrated safety

HEAD OFFICE

BROEN-LAB A/S

Drejervænget 2 • DK-5610 Assens
Tel. +45 6376 6376 • Fax +45 6471 2476
E-mail: lab@broen-lab.com



BROEN-LAB A/S ISO 9001 certification

In September 1991 BROEN-LAB A/S was certified according to ISO 9001 as one of the first Danish companies. The certification was carried out by Bureau Veritas, Denmark, for our Danish site in Assens. The quality management system of BROEN-LAB A/S now complies with detailed specifications laid down by the internationally acknowledged EN ISO 9001:2015. This certification will further contribute to reputation for quality and reliability of BROEN-LAB A/S.

INTERNATIONAL OFFICES

BROEN-LAB Ltd.

Tel. +44 121 522 4515 • Fax +44 121 522 4535
E-mail: broenvalves@broen-lab.com

BROEN-LAB Singapore Pte. Ltd.

10 Bukit Batok Crescent #10-02 • The Spire • Singapore 658079
Tel: +65 6298 0662 • Fax: +65 6298 0468
E-mail: sales@broen-lab.com

BROEN-LAB GmbH

Tel. +45 6376 6376 • Fax +45 6471 2476
E-mail: lab@broen-lab.com

BROEN-LAB Sverige AB

Tel. +45 6376 6376 • Fax +45 6471 2476
E-mail: lab@broen-lab.com

broen-lab.com

BROEN-LAB