

**BROEN-LAB
WASTE SYSTEM**

- Chemical resistant polypropylene



BROEN-LAB

Content	Page
INTRODUCTION	2
PP SINK	3-5
PP WASTE	6
PP BOTTLE TRAP	7-8
PP DRIP CUPS	9-10
PP ACCESSORIES	11
RESISTANCE CHART	12-15

BROEN-LAB WASTE SYSTEM - INTRODUCTION

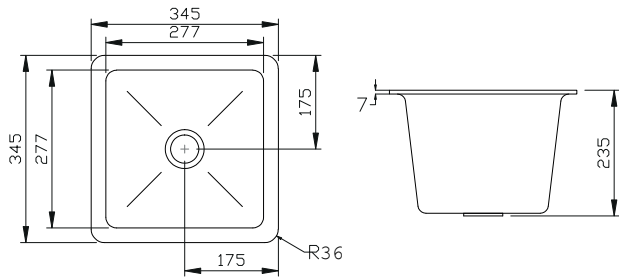
PP – CHEMICAL RESISTANT POLYPROPYLENE WASTE SYSTEM

Chemical resistant sinks and waste fittings are injection moulded from polypropylene copolymer to ensure a consistent quality. Polypropylene has superior resistance to numerous acids, alkaline, reagents, solvents and also UV light making it ideal for use in today's demanding laboratories. The light weight and impact/crack resistant features of these sinks and fittings makes installation easy and accommodates to various designs and requirements of a laboratory workbench. The standard colour is black and (other colours are available on request)

- High chemical resistance
- UV resistance
- Light weight
- Impact and crack resistant
- All around sink

The above mentioned advantages make the range ideal for use in many applications, such as:

- Laboratories
- Schools
- Universities
- Hospitals
- Industries with corrosive environment



SPECIFICATIONS

Temperature range: 0-80°C

Standard colour: black and white (other colours available on request, there is a M.O.Q)

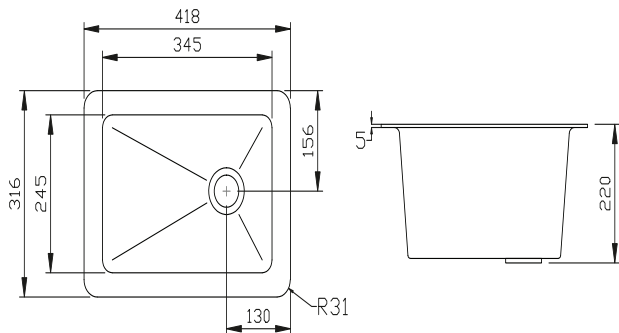
Net weight: 1.6 kg

Dimensions: external 345 x 345 x 235mm (tolerance ± 1mm)*

Injection moulded from polypropylene copolymer resin, with a self-draining base. This square PP sink blends well into any laboratory workbench. Extremely durable.

ORDERING INFORMATION

Colour	Itemnumber	Comments
	97B0350	Remember to order waste (97B0073)
	97B0350W	Remember to order waste (97B0073W)



SPECIFICATIONS

Temperature range: 0-80°C

Standard colour: black (other colours available on request, there is a M.O.Q)

Net weight: 1.4 kg

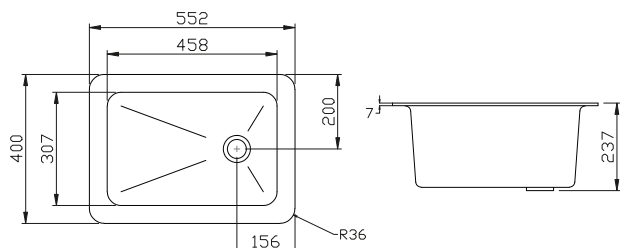
Dimensions: external 418 x 316 x 220mm (tolerance ± 1mm)*

Injection moulded from polypropylene copolymer resin, with a self-draining base. Designed for mounting on top or underside of the work benches.

ORDERING INFORMATION

Colour	Itemnumber	Comments
	97B0420	Remember to order waste (97B0073)

* Measurements can vary due to material property in the molding and cooling process. We don't recommend cutting until sinks have been received and measurements have been checked. PP-material have a high chemical resistance and therefore glue can't be used as fastening method.



SPECIFICATIONS

Temperature range: 0-80°C

Standard colour: black and white (other colours available on request, there is a M.O.Q)

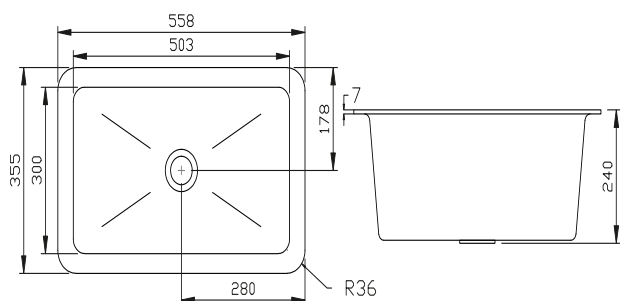
Net weight: 2.2 kg

Dimensions: external 552 x 400 x 237mm (tolerance ± 1mm)*

The rectangular sink with its self draining base are injection moulded from polypropylene copolymer resin. Designed for mounting on top or underside of work benches.

ORDERING INFORMATION

Colour	Itemnumber	Comments
	97B0552	Remember to order waste (97B0073)
	97B0552W	Remember to order waste (97B0073W)



SPECIFICATIONS

Temperature range: 0-80°C

Standard colour: black (other colours available on request, there is a M.O.Q)

Net weight: 2.7 kg

Dimensions: external 558 x 355 x 240mm (tolerance ± 1mm)*

The rectangular sink is made of polypropylene copolymer resin. Lightweight and superior in chemical resistance makes this sink is ideal for use even in most demanding laboratories.

ORDERING INFORMATION

Colour	Itemnumber	Comments
	97B0560	Remember to order waste (97B0073)

* Measurements can vary due to material property in the molding and cooling process. We don't recommend cutting until sinks have been received and measurements have been checked. PP-material have a high chemical resistance and therefore glue can't be used as fastening method.



SPECIFICATIONS

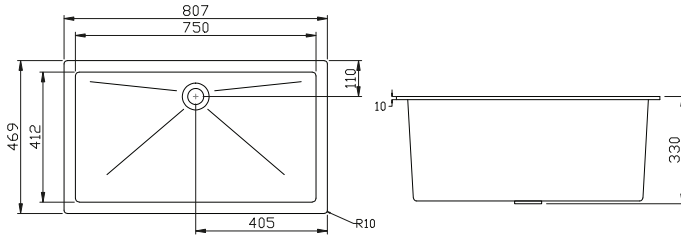
Temperature range: 0-80°C

Standard colour: black (other colours available on request, there is a M.O.Q)

Net weight: 5.4 kg

Dimensions: external 807 x 469 x 330mm (tolerance ± 1mm)*

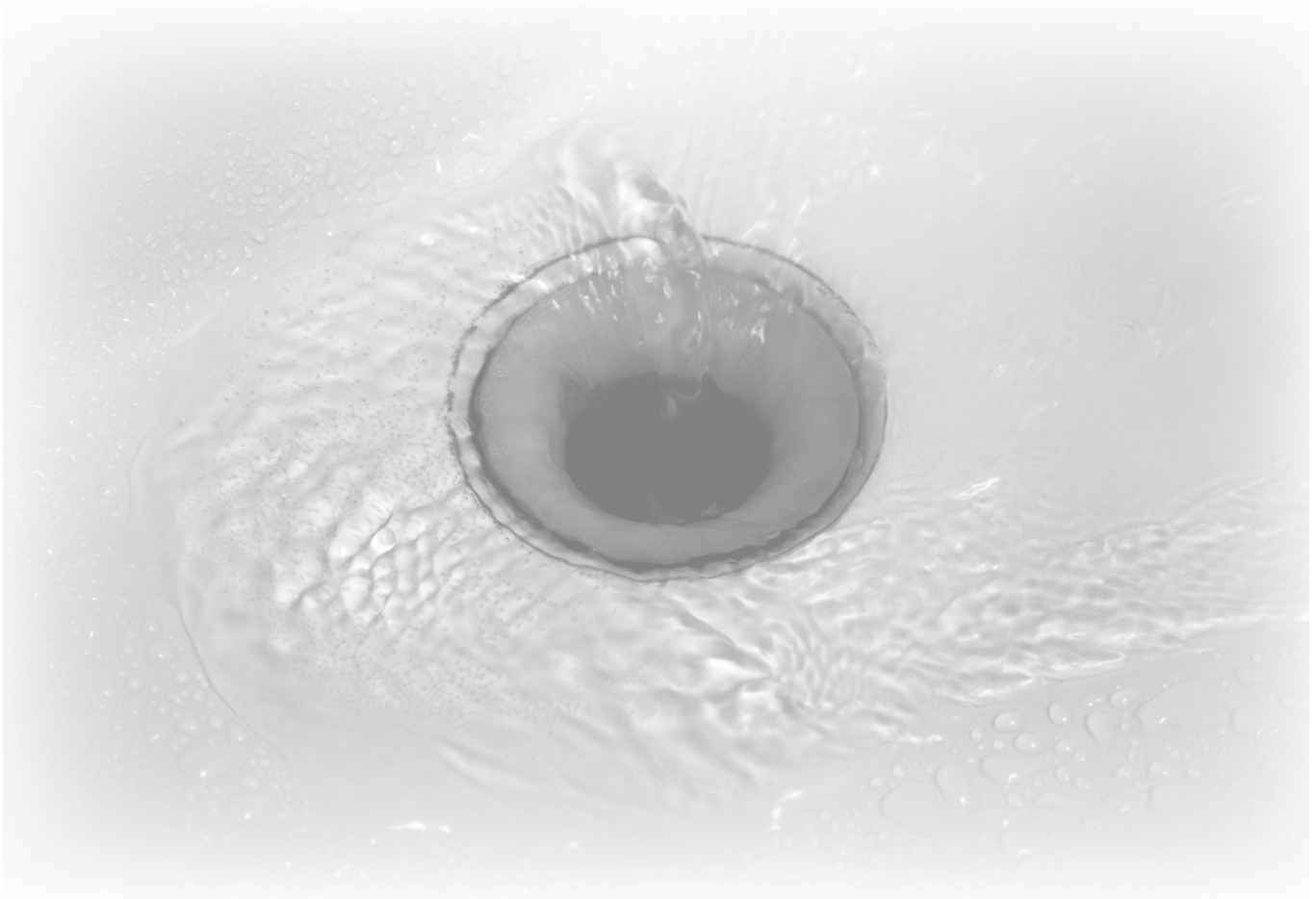
The largest polypropylene sink offered, it is suitable for cleansing of larger items. Very widely used in island benches and teacher benches.

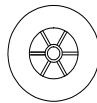
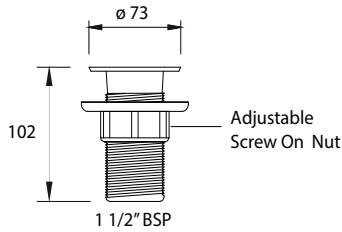
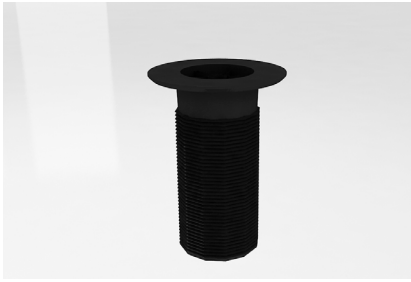


ORDERING INFORMATION

Colour	Itemnumber	Comments
	97B0810	Remember to order waste (97B0085)

* Measurements can vary due to material property in the molding and cooling process. We don't recommend cutting until sinks have been received and measurements have been checked. PP-material have a high chemical resistance and therefore glue can't be used as fastening method.





SPECIFICATIONS

Temperature range: 0-80°C

Standard colour: black and white (other colours available on request, there is a M.O.Q)

Net weight: 0.2 kg

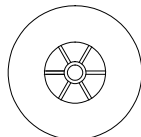
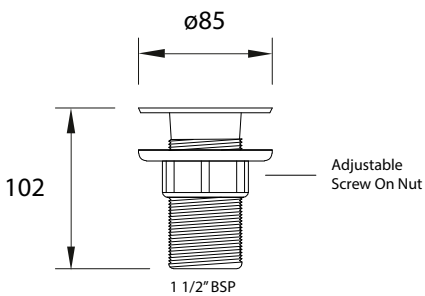
Dimensions: Ø73, 1½" BSP (tolerance ± 1mm)

Including adjustable screw on nut

ORDERING INFORMATION

* For sink please see page 3+4

Colour	Itemnumber	Comments
	97B0073	Remember to order with black sink*
	97B0073W	Remember to order with white sink*



SPECIFICATIONS

Temperature range: 0-80°C

Standard colour: black (other colours available on request, there is a M.O.Q)

Net weight: 0.2 kg

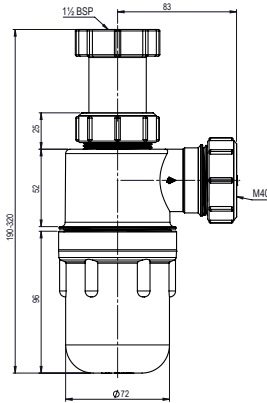
Dimensions: Ø85, 1½" BSP (tolerance ± 1mm)

Including adjustable screw on nut

ORDERING INFORMATION

* For sink please see page 5

Colour	Itemnumber	Comments
	97B0085	Remember to order with black sink*



SPECIFICATIONS

Temperature range: 0-80°C

Standard colour: black (other colours available on request, there is a M.O.Q)

Net weight: 0.5 kg

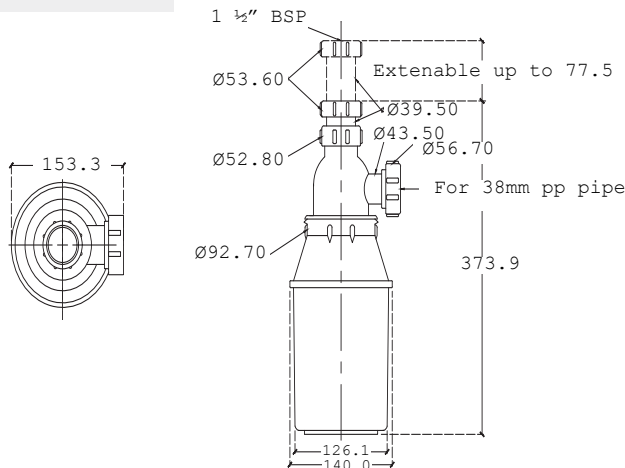
Dimensions: IN: 1 1/2" BSP
OUT: 40mm (metric)

Height adjustable: telescopic bottle trap

Injection moulded from polypropylene copolymer resin, this anti-siphon bottle trap come with inlet of 1 1/2" BSP, with black bowl.

ORDERING INFORMATION

Colour	Itemnumber	Comments
	97B0040	



SPECIFICATIONS

Temperature range: 0-80°C

Standard colour: black (other colours available on request, there is a M.O.Q)

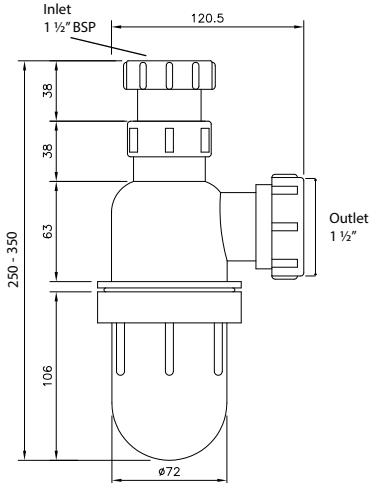
Net weight: 0.5 kg

Dimensions: IN: 1 1/2" BSP
OUT: 40mm (metric)

Injection moulded from polypropylene copolymer resin, this dilution recovery trap has a capacity of 2,3 liters.

ORDERING INFORMATION

Colour	Itemnumber	Comments
	97B0023	



SPECIFICATIONS

Temperature range: 0-80°C

Standard colour: black (other colours available on request, there is a M.O.Q)

Net weight: 0.5 kg

Dimensions: IN: 1½" BSP
 OUT: 1½" (fractional)
 (nominal int. diameter: 38mm
 nominal ext. diameter: 48.3mm)

Height adjustable: telescopic bottle trap

Injection moulded from polypropylene copolymer resin, this anti-siphon bottle trap come with inlet of 1½" BSP, with black bowl.

ORDERING INFORMATION

Colour	Itemnumber	Comments
	97B0095V	

SPECIFICATIONS

Temperature range: 0-80°C

Standard colour: black and translucent bowl (other colours available on request, there is a M.O.Q)

Net weight: 0.5 kg

Dimensions: IN: 1½" BSP
 OUT: 1½" (fractional)
 (nominal int.diameter: 38mm
 nominal ext. diameter: 48.3mm)

Height adjustable: telescopic bottle trap

Injection moulded from polypropylene copolymer resin, this anti-siphon bottle trap come with inlet of 1½" BSP, with translucent bowl.

ORDERING INFORMATION

Colour	Itemnumber	Comments
	97B0095VT	As above but with a translucent bowl

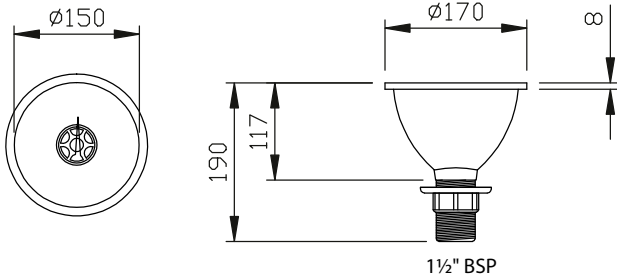


SPECIFICATIONS

Temperature range: 0-80°C
Standard colour: black (other colours available on request, there is a M.O.Q)
Net weight: 0.5 kg
Dimensions: Ø170mm (tolerance ± 1mm)

Including adjustable screw on nut

Round drip cup is made of polypropylene and suitable to be used for fume hoods



ORDERING INFORMATION

Colour	Itemnumber	Comments
	97B0170	

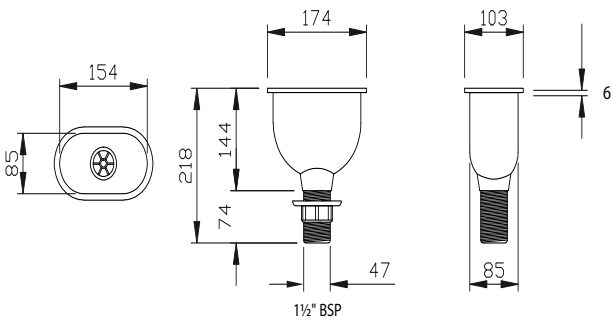


SPECIFICATIONS

Temperature range: 0-80°C
Standard colour: black (other colours available on request, there is a M.O.Q)
Net weight: 0.6 kg
Dimensions: 174 x 103 x 144mm (tolerance ± 1mm)

Including adjustable screw on nut

The oval-shaped drip cup is commonly used on work-tops of fume hoods. Injection moulded from Polypropylene copolymer resin



ORDERING INFORMATION

Colour	Itemnumber	Comments
	97B0176	



SPECIFICATIONS

Temperature range: 0-80°C

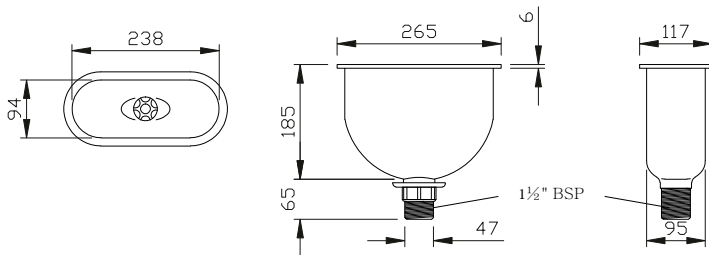
Standard colour: Black (other colours available on request, there is a M.O.Q)

Net weight: 0.6 kg

Dimensions: 265 x 117 x 185mm (tolerance ± 1mm)

Including adjustable screw on nut

The new PP cup is made of polypropylene and is suitable for use in fume hoods.



ORDERING INFORMATION

Colour	Itemnumber	Comments
	97B0265	



SPECIFICATIONS

Temperature range: 0-80°C

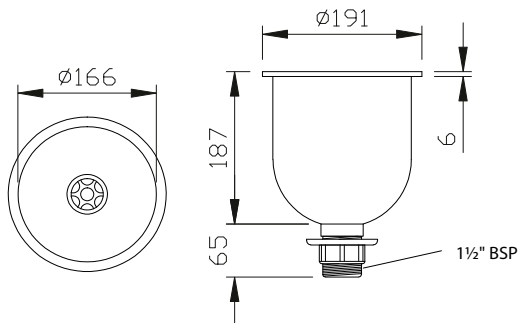
Standard colour: Black (other colours available on request, there is a M.O.Q)

Net weight: 0.7 kg

Dimensions: Ø191mm (tolerance ± 1mm)

Including adjustable screw on nut

Round drip cup is made of polypropylene and suitable to be used for fume hoods.



ORDERING INFORMATION

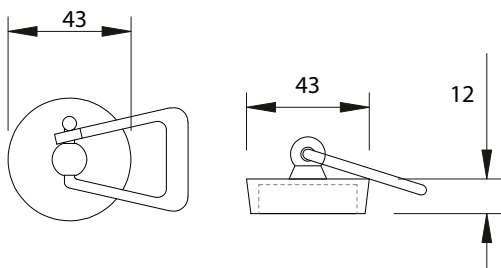
Colour	Itemnumber	Comments
	97B0190	



SPECIFICATIONS

Temperature range: 0-80°C
Standard colour: Black
Net weight: 0.1 kg
Dimensions: Ø43, 12mm

Moulded from polypropylene and attached with a holder for easy removal of the plug.



ORDERING INFORMATION

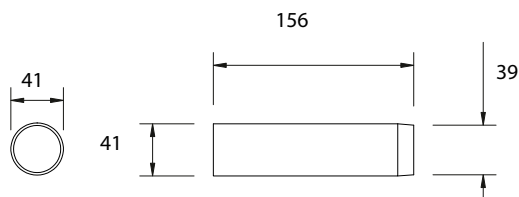
Colour	Itemnumber	Comments
	97B0821	



SPECIFICATIONS

Temperature range: 0-80°C
Standard colour: Black and translucent bowl (other colours available on request, there is a M.O.Q)
Net weight: 0.2 kg
Dimensions: Ø41, 156mm

Overflow waste stand tubes are injection moulded from polypropylene copolymer resin. Used together with sink waste.



ORDERING INFORMATION

Colour	Itemnumber	Comments
	97B0158	Also available in 258 mm height, 97B0258

A = NEGLIGIBLE EFFECT - should be suitable for all applications.

B = LIMITED ABSORPTION OR ATTACK - should be suitable for most applications, but the user is advised to make his own tests to determine the suitability of polypropylene with the particular solution.

C = EXTENSIVE ABSORPTION AND / OR RAPID PERMEATION - should be suitable for applications where only intermittent service is involved, or where the swelling produced has no detrimental effect on the part. The user should make his own test to determine the suitability of polypropylene with the particular solution.

D = EXTENSIVE ATTACK - the specimen dissolves or disintegrates. Polypropylene is not recommended.

Reagent	Conc. %	Temperatures ° C		
		20	60	100
Acetic acid (glacial)	97	A	B (80°C)	-
Acetic acid	50	A	A (80°C)	-
Acetic acid	40	A	-	-
Acetic acid	10	A	A	-
Acetone	100	A	A	-
Acetophenone	100	B	B	-
Acriflavine	2	A	A	-
(2% solution in H2O)			A (80°C)	-
Acrylic emulsions		A	A	-
Aluminum chloride		A	A	-
Aluminum fluoride		A	A	-
Aluminum sulfate		A	A	-
Alums (all type)		A	A	-
Ammonia (aqueous)	30	A	-	-
Ammonia gas (dry)		A	A	-
Ammonium carbonate	Satd.	A	A	-
Ammonium chloride	Satd.	A	A	-
Ammonium fluoride	20	A	A	-
Ammonium hydroxide	10	A	A	-
Ammonium metaphosphate	Satd.	A	A	-
Ammonium nitrate	Satd.	A	A	-
Ammonium persulfate	Satd.	A	A	-
Ammonium sulfate	Satd.	A	A	-
Ammonium sulfide	Satd.	A	A	-
Ammonium thiocyanate	Satd.	A	A	-
Amyl acetate	100	B	C	-
Amyl alcohol	100	A	B	-
Amyl chloride	100	C	C	-
Aniline	100	A	A	-
Anisole	100	B	-	-
Magenta dye (Aqueous solution)	2	A some staining	A	-
Magnesium carbonate	Satd.	A	A	-
Magnesium chloride	Satd.	A	A	-

For further information please refer to www.BROEN-LAB.com or contact your local BROEN-LAB representative.

Reagent	Conc. %	Temperatures ° C		
		20	60	100
Magnesium hydroxide	Satd.	A	A	-
Magnesium nitrate	Satd.	A	A	-
Magnesium sulfate	Satd.	A	A	-
Magnesium sulfide	Satd.	A	A	-
Meat juices	Satd.	A	A	-
Mercuric chloride	40	B	B	-
Mercuric cyanide	Satd.	A	A	-
Mercurous nitrate	100	A	A	-
Mercury	100	A	A	-
Methyl alcohol	100	A	A	-
Methylene chloride	100	A	-	-
Methyl ethyl ketone	100	A	B	-
Milk and it products		A	A	A
Mineral oil	100	A	B	-
Molasses		A	A	-
Motor oil	100	A	B	-
Naphthalene	100	A	A	A
Nickel chloride	Satd.	A	A	-
Nickel nitrate	Satd.	A	A	-
Nickel sulfate	Satd.	A	A	-
Nitric acid	Fuming	D	D	D
Nitric acid	70*	C	D	-
Nitric acid	60	A	D (80°C)	-
Nitric acid	10	A	A	A
50-50 HNCB-HCl	Satd.	A	D (80°C)	-
50-50 HNCB-H2SO4	*	C	D (80°C)	-
Nitrobenzene	100	A	A	-
Oleic acid		A	B	D
Oleum		-	-	D
Olive oil	100	A	A	-
Oxalic acid (aqueous)	50	A	B	-
Paraffin	100	A	B	-
Paraffin wax	100	A	A	-
Petrol	100	B	C	-
Petroleum ether (Boiling point 100-140°C)	100	C	C	-
Phenol	100	A	A	-
Phosphoric acid	95	A	A	-
Plating solution, brass		A	A	-

For further information please refer to www.BROEN-LAB.com or contact your local BROEN-LAB representative.

Reagent	Conc. %	Temperatures ° C		
		20	60	100
Plating solution, cadmium		A	A	-
Plating solution, chromium		A	A	
Plating solution, copper		A	A	-
Plating solution, gold		A	A	-
Plating solution, indium		A	A	-
Plating solution, lead		A	A	-
Plating solution, nickel		A	A	-
Plating solution, rhodium		A	A	
Plating solution, silver		A	A	-
Silicon oil	100	A	A	-
Soap solution (concentrated)		A	A	-
Sodium acetate		A	A	-
Sodium bicarbonate	Satd.	A	A	-
Sodium bisulfate	Satd.	A	A	-
Sodium bisulfite	Satd.	A	A	-
Sodium borate		A	A	-
Sodium bromide oil solution		A	A	-
Sodium carbonate	Satd.	A	A	-
Sodium chlorate	Satd.	A	A	-
Sodium chloride	2	A	A	-
Sodium chlorite		A	A (80°C)	-
Sodium chlorite	5	A	A (80°C)	-
Sodium chlorite	10	A	A (80°C)	-
Sodium chlorite	20	A	A (80°C)	-
Sodium cyanide	Satd.		A (80°C)	-
Sodium dichromate	Satd.	A	A	-
Sodium ferricyanide	Satd.	A	A	-
Sodium ferrocyanide	Satd.	A	A	-
Sodium fluoride	50	A	A	-
Sodium hydroxide	10	A	A	-
Sodium hydroxide	20	A	A	-
Sodium hypochlorite		A	B	-
Sodium nitrate				
Sodium nitrite	Satd.	A	A	-
Sodium silicate	25	A	A	-
Sodium sulfate	Satd.	A	A	-
Sodium sulfide		A	A	-
Sodium sulfite	Satd.	A	A	-

For further information please refer to www.BROEN-LAB.com or contact your local BROEN-LAB representative.

Reagent	Conc. %	Temperatures ° C		
		20	60	100
Stannic chloride	Satd..	A	A	-
Stannous chloride		A	A	-
Starch		A	A	-
Sugar and syrups		A	A	-
Sulfamic acid Calcium and Sulfates of Magnesium Potassium		A	A (80°C)	-
Sulfur	98*	A	A	-
Sulfuric acid	60	C	-	D
Sulfuric acid		A	B (80°C)	-
Sulfuric acid	50	A	B	-
Sulfuric acid	10	A	B	D
Sulfuric acid	*	A	A	-
50-50 H2SO4-HNO3		C	D (80°C)	A
Tallow		A	A	-
Tannic acid	10	A	A	-
Tartaric acid		A	A	-
Tetrahydrofuran	100	C	C	C
Tetralin	100	C	C	-
Toluene	100	C	C	-
Transformer oil	100	A	C	-
Trichloroacetic acid	100	A	A	-
Trichloroethylene	100	C	C	C
Triethanolamine	100	A	A (80°C)	-
Turpentine	100	C	C	C
Urea		A	A	-
Urine		A	A	-
Vaseline		A	A	-
Vinegar		A	A	-
Water (distilled , soft, hard and vapor)		A	A	-
Wet chlorine gas		-	D (70°C)	
Whisky		A	A	A
White paraffin	100	A	B (80°C)	-
White spirit	100	B	C	-
Wines		A	A	-
Xylene	100	C	C	C
Yeast		A	A	-
Zinc chloride	Satd.	A	A	-
Zinc oxide		A	A	-
Zinc sulfate	Satd.	A	A	-

For further information please refer to www.BROEN-LAB.com or contact your local BROEN-LAB representative.

BROEN-LAB develops, manufactures and sells Laboratory Fittings, Emergency Shower Systems and Eye Wash Systems into a broad spectrum of laboratories and industrial locations; sectors include Pharmaceutical, Food&Beverage and Academia. Our expertise and product quality ensure optimal solutions compliant to all relevant international norms setting new standards in risk mitigation in modern research and development facilities.

BROEN-LAB offer solutions that ensure the functionality, compliance, hygiene, durability and safety are of the highest priority. For over 50 years our products have been integrated into a wide variety of workplaces, laboratories, hospitals and industrial locations, with features that are assessed and designed to be flexible, durable and compliant offering a broad range of options tailored to each location. This inherent design integrity provides confidence in the solution adopted wherever in the world these are applied.

BROEN-LAB is a collaboration partner in the design and layout of your next laboratory and it's integrated safety solutions.

HEADQUATER

BROEN-LAB A/S

Drejervænget 2 • DK-5610 Assens
Denmark
Tel. +45 6376 6376 • Fax. +45 6471 2476
Email: lab@broen-lab.com



BROEN-LAB A/S ISO 9001 certification

In September 1991 BROEN-LAB A/S was certified according to ISO 9001 as one of the first Danish companies. The certification was carried out by Bureau Veritas, Denmark, for our Danish site in Assens. The quality management system of BROEN-LAB A/S now complies with detailed specifications laid down by the internationally acknowledged EN ISO 9001:2008. This certification will further contribute to reputation for quality and reliability of BROEN-LAB A/S.

INTERNATIONAL OFFICES

BROEN-LAB Ltd.

Tel. +44 121 522 4515 • Fax. +44 121 522 4535
Email: lab@broen-lab.com

BROEN-LAB Singapore Pte. Ltd.

10 Bukit Batok Crescent #10-02 • The Spire • Singapore 658079
Tel. +65 6298 0662 • Fax. +65 6298 0468
Email: sales@broen-lab.com

BROEN-LAB GmbH

Tel. +45 6376 6376 • Fax. +45 6471 2476
Email: lab@broen-lab.com

BROEN-LAB Sverige AB

Tel. +45 6376 6376 • Fax. +45 6471 2476
Email: lab@broen-lab.com

BROEN-LAB inc.

15 Constitution Drive • Suite 122 • NH 03110 • Bedford USA
Tel. +45 6376 6376 • Fax. +45 6471 2476
Email: lab@broen-lab.com

www.BROEN-LAB.com

BROEN-LAB